

iGRAIN AIO-Hub

Durable iGRAIN sensor installation with safe MODBUS signal network and power supply

The iGRAIN AIO-Hub is a 24 VDC (50W), 4 output power supply with MODBUS RS-485 gateway for an unlimited number of sensor devices in the iGRAIN portfolio of sensors.

► The iGRAIN AIO-Hub is used for:

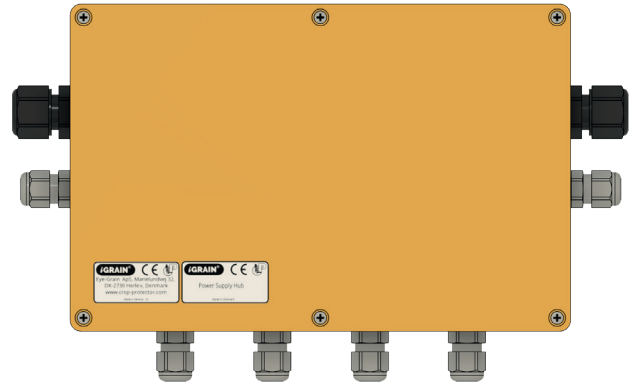
- All-In-One Sensor Cable (AIO)
- Plenum Pressure Sensor
- Bin Auditor Radar
- Bin Auditor Laser
- Rotary Paddle Level Sensor
- Relay Output Unit

► Technical features:

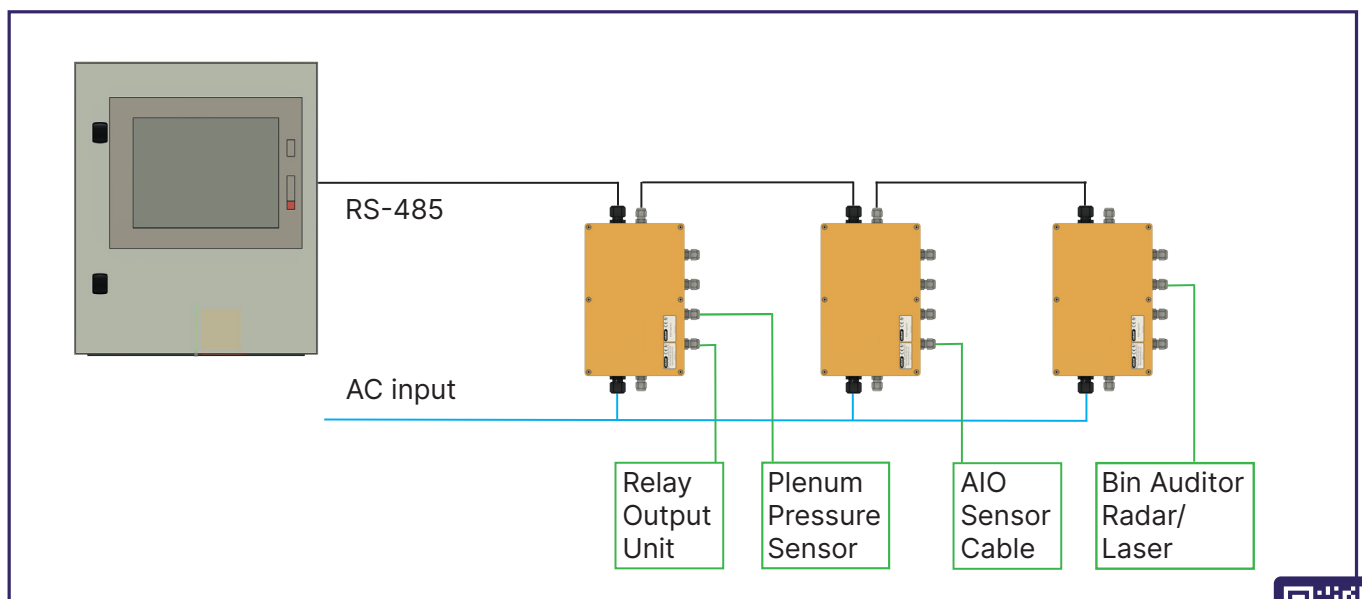
- Universal AC input / Full range
- Withstand 300VAC surge input for 5 seconds
- No load power consumption < 0,3W
- High operating ambient temperature up to 70°C
- Protections: Short circuit/Overload/Over voltage
- High efficiency, long life and high reliability
- LED indicator for power ON and MODBUS RS-485 communication lines

► Main applications:

- iGRAIN monitoring system 24 VDC power supply and MODBUS, RS-485 communication
- Industrial automation machinery
- Industrial control system
- Power supply for electronic instruments, equipment or apparatus



Application example:



iGRAIN AIO-Hub: Technical specifications

Output	DC voltage	24V
	Rated current	2,2A
	Current range	0 ~ 2,1A
	Rated power	50,4W
	Ripple and noise	150mVp-p
	Voltage adj. range	21,6 ~ 28,8V
	Voltage tolerance	±1,0%
	Line regulation	±0,5%
	Load regulation	±0,5%
	Setup, rise time	1000ms, 30ms/230 VAC; 2000ms, 30ms/115 VAC at full load
	Hold up time (typical)	30ms/230 VAC; 12ms/115 VAC at full load
Input	Voltage range	85 ~264 VAC
	Frequency range	47 ~ 63 Hz
	Efficiency (typical)	88 %
	AC current (typical)	0,95A/115 VAC; 0,56A/230 VAC
	Inrush current (typical)	Cold start 45A/240 VAC
	Leakage current	<0,75Ma/240 VAC
Protection	Overload	110 ~ 150% rated output power Protection type: Hiccup mode, recovers automatically after fault condition is removed
	Over voltage	28,8 ~ 36,6V Protection type: Shut down o/p voltage, re-power on to recover
Environment	Working temperature	-30 ~ +70°C
	Water/moisture resistant	IP 65 (Sensor head)
Other	Dimensions	273×167×77 mm (LxWxH)
	Communication ports	4 x RS-485 MODBUS

iGRAIN AIO-Hub: Dimension drawing

