

iGRAIN AIO-Hub

A universal MODBUS signal network and power supply hub applies to all iGRAIN MODBUS sensor applications

The AIO-Hub is a universal MODBUS network controller. It is using the standard MODBUS protocol to accommodate all iGRAIN sensors and foreign MODBUS devices. It also provides a 24 V (50 W) power supply for the network sensors.

The iGRAIN AIO-Hub is a gateway module with 4 outputs for an unlimited number of iGRAIN sensor devices in a network communicating to a PC or other platform.

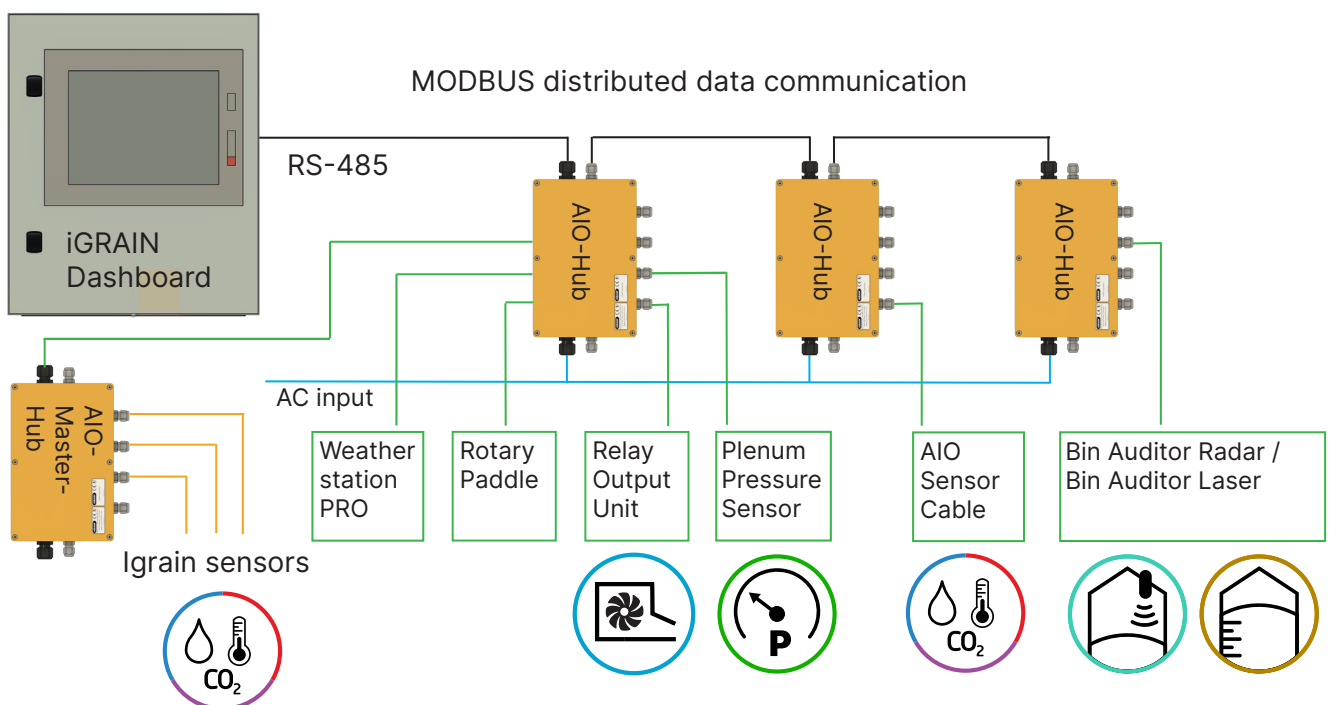
► The iGRAIN AIO-Hub is used for:

- All-In-One Sensor Cable (AIO)
- iGRAIN Oxygen Sensor Hub
- iGRAIN PRO Weather Station
- Plenum Pressure Sensor
- Bin Auditor Radar
- Bin Auditor Laser
- Rotary Paddle Level Sensor (power only)

► Technical features:

- Universal AC input
- High operating ambient temperature up to 70°C
- Protections: Short circuit/Overload/Over voltage
- High efficiency, long life and high reliability
- LED indicator for power ON and MODBUS RS-485 communication lines

iGRAIN AIO-Hub: Application example



iGRAIN AIO-Hub, 1058-000: Technical specifications

Input	Voltage range	85 ~264 VAC
	Frequency range	47 ~ 63 Hz
	Efficiency (typical)	88 %
Output	DC voltage	24V
	Rated current	2,2A
	Current range	0 ~ 2,1A
	Rated power	50,4W
	Voltage adj. range	21,6 ~ 28,8V
	Voltage tolerance	±1,0%
Protection	Overload	110 ~ 150% rated output power Protection type: Hiccup mode, recovers automatically after fault condition is removed
	Over voltage	28,8 ~ 36,6V Protection type: Shut down o/p voltage, re-power on to recover
Environment	Working temperature	-30 ~ +70°C
	Water/moisture resistant	IP 65 (Cabinet)
Communication	Modbus gateway	Ygates
	Communication band rate	9,6 kB
	Protocol	Supports Modbus RTU
	End of line termination	The signal impedance on the RS485 Modbus is balanced with end of line resistors. Use jumper to terminate.
Other	Dimensions	273×167×77 mm (LxWxH)
	Communication ports	4 x RS-485 MODBUS

iGRAIN AIO-Hub

